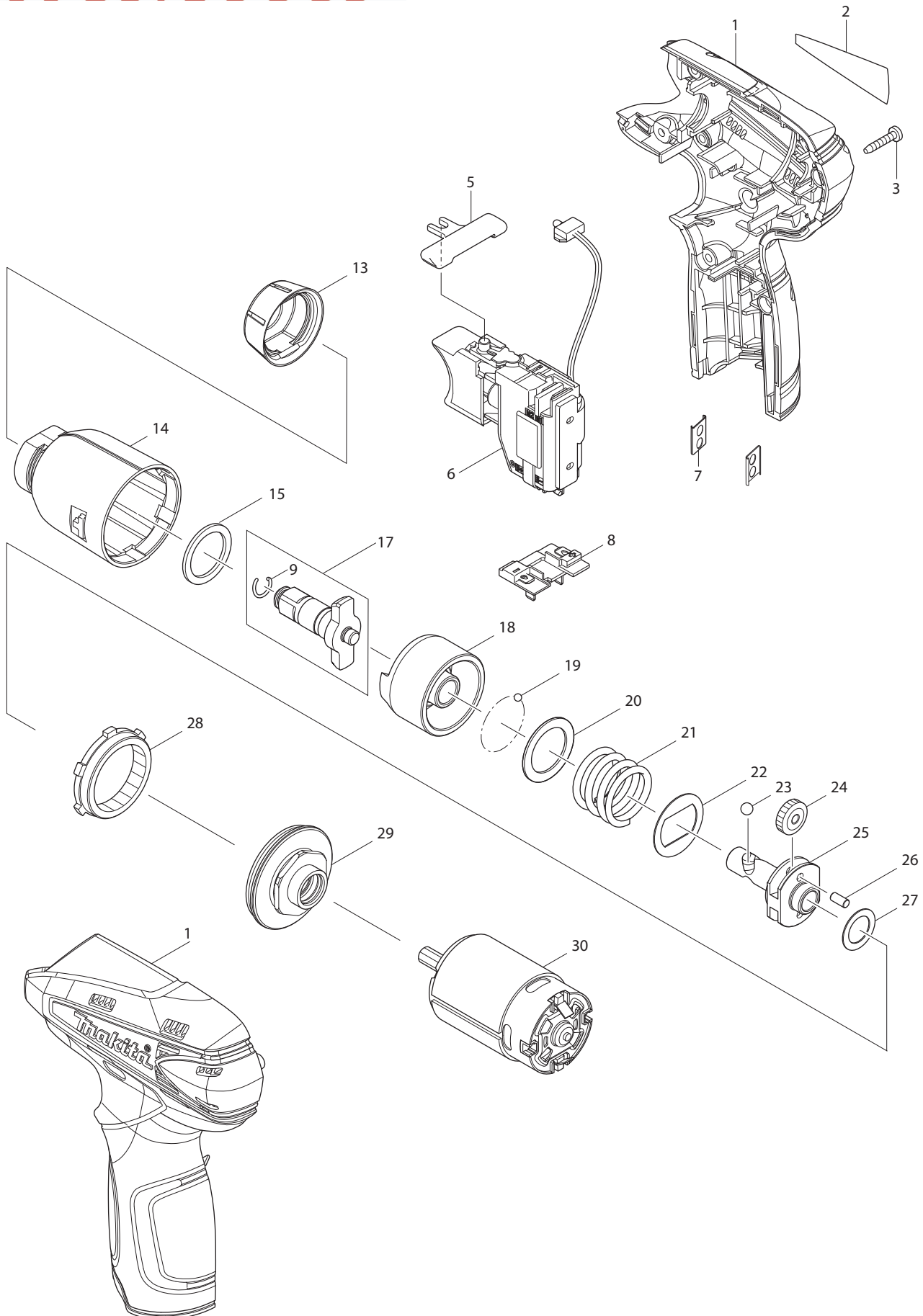




12 - 2010  
WT01 / WT01Z  
12V 3/8" IMPACT WRENCH



Item Nc	Type	Sub	Part No.	Description	Qty	Unit
1	1		188985-1	* HOUSING SET	1	SET
		INC.	892030-3	CAUTION LABEL (FR/SP)	1	PC.
	2		187305-6	* HOUSING SET (Use Type1 until Type 3 released)	1	SET
		INC.	892030-3	CAUTION LABEL (FR/SP)	1	PC.
	3		187368-2	* HOUSING SET	1	SET
		INC.	892030-3	CAUTION LABEL (FR/SP)	1	PC.
2			869483-1	NAME PLATE F/WT01	1	PC.
3			266429-2	TAPPING SCREW 3X16	6	PC.
5			450504-6	F/R CHANGE LEVER	1	PC.
6	1		650656-5	* SWITCH C3HY-1A-EF1M (Tool manufactured before March 2013 )	1	PC.
	2		650691-3	* SWITCH C3HW-3A-EF1M (Tool manufactured on or after April 2013 )	1	PC.
7			345998-7	SET PLATE	2	PC.
8			643830-2	TERMINAL	1	PC.
9			231964-9	RING SPRING 7	1	PC.
13			424428-2	BUMPER	1	PC.
14			140929-9	HAMMER CASE COMPLETE	1	PC.
15			261140-1	NYLON WASHER 20	1	PC.
17			135473-9	ANVIL ASSEMBLY	1	PC.
		INC.		Item No. 9		
18			324894-2	HAMMER	1	PC.
19			216019-1	STEEL BALL 3	24	PC.
20			267380-9	FLAT WASHER 20	1	PC.
21			234217-5	COMPRESSION SPRING 21	1	PC.
22			267813-4	WASHER 21	1	PC.
23			216002-8	STEEL BALL 4.8	2	PC.
24			227213-0	SPUR GEAR 17	2	PC.
25			324897-6	SPINDLE	1	PC.
26			268217-3	PIN 3.5	2	PC.
27			253052-2	FLAT WASHER 12	1	PC.
28			227215-6	INTERNAL GEAR 43	1	PC.
29			158671-8	BEARING BOX COMPLETE	1	PC.
		INC.	210112-3	BALL BEARING 6801LLB	1	PC.
		INC.	213188-9	O-RING 13	1	PC.
30			629904-3	DC MOTOR	1	PC.
32	2		268284-8	* PIN 1.5 (Added)	1	PC.
33	2		263038-8	* RUBBER PIN 6 (Added)	1	PC.
C01			872078-1	CARTON (FOR WT01Z)	1	PC.
C01A			872075-7	CARTON (FOR WT01)	1	PC.
D01			654069-2	RECEPTACLE	2	PC.
D02			654281-4	RECEPTACLE	2	PC.

### **ACCESSORIES**

*- See catalogue or visit [www.makita.ca](http://www.makita.ca) for more accessories -*

A01			DC10WB	CHARGER DC10WB F/LI-ION 7.2, 10.8, 12V	1	PC.
A02			195332-9	12V MAX LI-ION BATTERY BL1014	2	PC.
A03			141104-0	PLASTIC CARRYING CASE COM	1	PC.
		INC.	324679-6	SHAFT	1	PC.
		INC.	417724-5	LATCH	2	PC.
A04			168467-9	HOLSTER	1	PC.

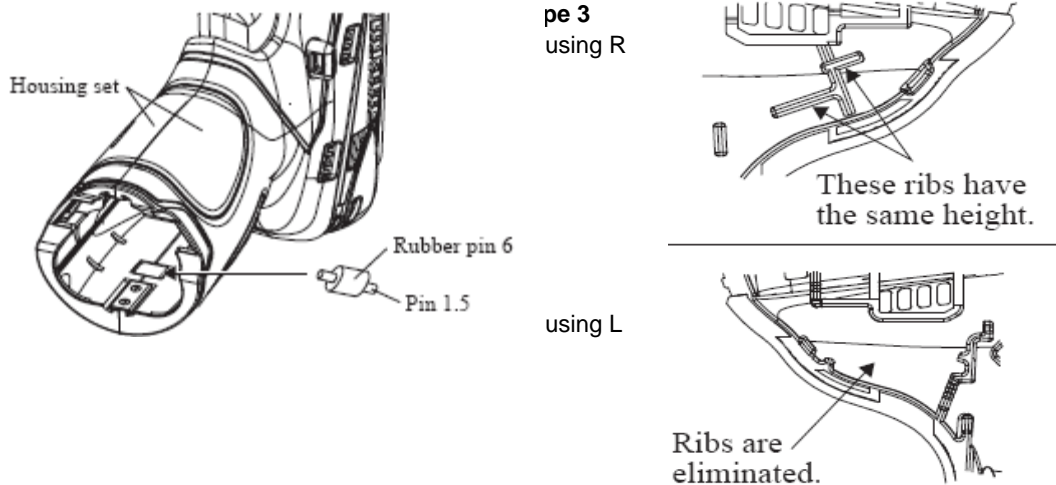
**SERVICE CHANGES**

**1. Changes on Housing Set**

(T/I# 92162, 93820)

Item No.	Description	Type 1	Type 2	Type 3
1	Housing	188985-1	187305-6 (N/A)	187368-2
32	Pin 1.5	-	-	268284-8
33	Rubber	-	-	263038-8

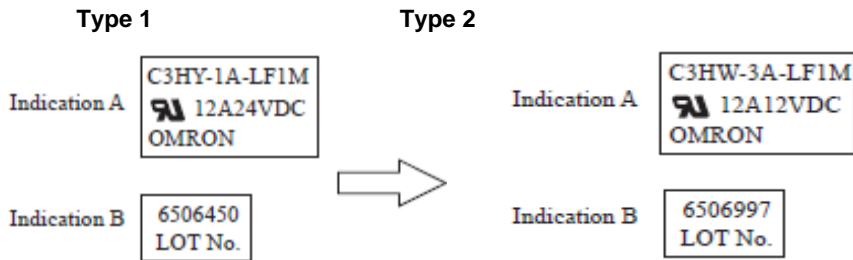
Above parts are completely interchangeable as a set.



**2. Changes on Switch**

Item No.	Description	Type 1	Type 2
6	SWITCH	650656-5	650691-3

(T/I# 98235)



Use Type 2 switch for repair the tool manufactured on or after April 2013

Use Type 1 switch for repair the tool manufactured before March 2013